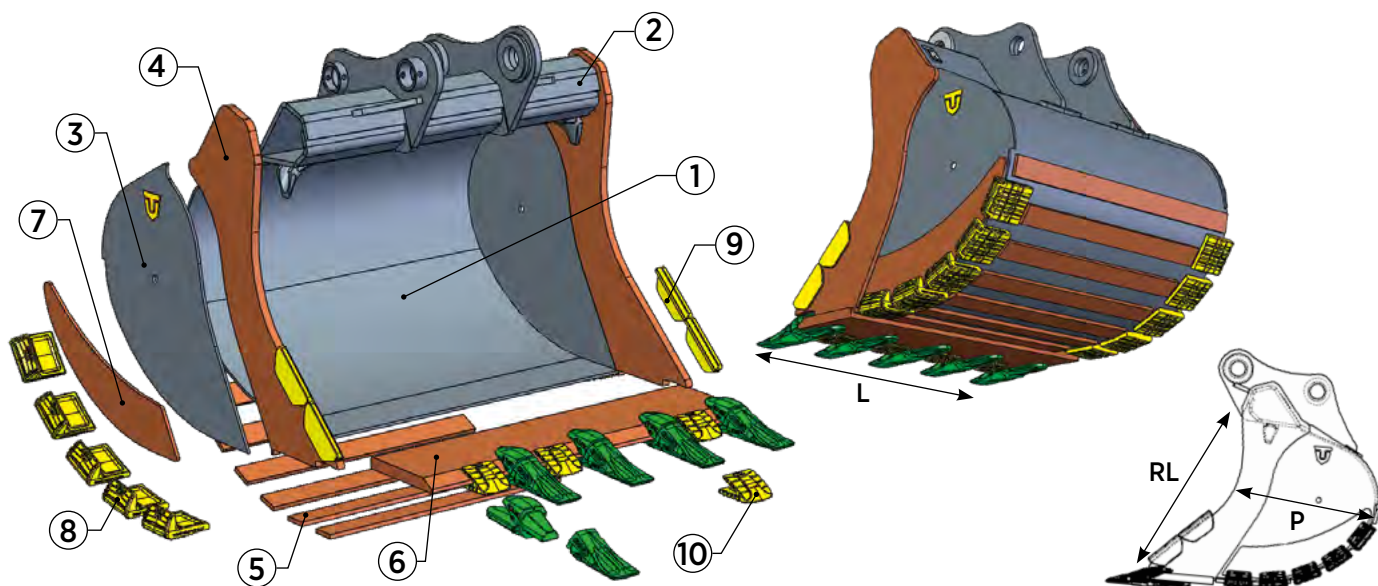


BENNA RINFORZATA ROCCIA "HEY" HDV per escavatori
REINFORCED ROCK "HEY" HDV BUCKET for excavators
GODET RENFORCÉ ROCHER "HEY" HDV pour pelles



Classe Class	Codice Code	L mm.	Cap. SAE Lt.	Denti n° Teeth	Peso Kg. Weight	RL mm.	P mm.	Tipo Denti - Teeth Type €		
								CAT J350	Esco U35 S	
T.65 19 - 23 ton	WHZ065-100	1000	770	4	892	1050	740	/	/	
	WHZ065-120	1200	958	5	996			/	/	
	WHZ065-130	1300	1052	5	1041			/	/	
	1	2	3	4	5	6	7	8	9	10
Materiale Material	S355	S355	S355	Hardox 400	Hardox 400	HB 400	Hardox 400	Protection Corner D'angle Angolare	Protection Side cutter Couteau Laterale	Protection Lip Lame Lama
Spessore Thickness	10 mm	18 mm	12 mm	25 mm	15 mm	300 x 40 mm	12 mm			

Classe Class	Codice Code	L mm.	Cap. SAE Lt.	Denti n° Teeth	Peso Kg. Weight	RL mm.	P mm.	Tipo Denti - Teeth Type €		
								CAT J350	Esco U40 S	
T.66 23 - 26 ton	WHZ066-100	1000	817	4	980	1150	790	/	/	
	WHZ066-120	1200	1021	5	1086			/	/	
	WHZ066-130	1300	1125	5	1124			/	/	
	1	2	3	4	5	6	7	8	9	10
Materiale Material	S355	S355	S355	Hardox 400	Hardox 400	HB 400	Hardox 400	Protection Corner D'angle Angolare	Protection Side cutter Couteau Laterale	Protection Lip Lame Lama
Spessore Thickness	10 mm	18 mm	12 mm	30 mm	15 mm	300 x 40 mm	15 mm			

Classe Class	Codice Code	L mm.	Cap. SAE Lt.	Denti n° Teeth	Peso Kg. Weight	RL mm.	P mm.	Tipo Denti - Teeth Type €		
								CAT J460	Esco U40 S	
T.68 26 - 31 ton	WHZ068-100	1000	1030	4	1300	1250	900	/	/	
	WHZ068-120	1200	1285	5	1395			/	/	
	WHZ068-135	1350	1480	5	1466			/	/	
	WHZ068-150	1500	1678	5	1589			/	/	
	1	2	3	4	5	6	7	8	9	10
Materiale Material	S355	S355	S355	Hardox 400	Hardox 400	HB 400	Hardox 400	Protection Corner D'angle Angolare	Protection Side cutter Couteau Laterale	Protection Lip Lame Lama
Spessore Thickness	12 mm	18 mm	12 mm	35 mm	20 mm	400 x 40 mm	15 mm			

BENNA RINFORZATA ROCCIA "HEY" HDV per escavatori
REINFORCED ROCK "HEY" HDV BUCKET for excavators
GODET RENFORCÉ ROCHER "HEY" HDV pour pelles

Classe Class	Codice Code	L mm.	Cap. SAE Lt.	Denti n° Teeth	Peso Kg. Weight	RL mm.	P mm.	Tipo Denti - Teeth Type €		
								CAT J460	Esco U45 S	
T.69 31 - 38 ton	WHZ069-100	1000	1157	4	1504	1265	940	/	/	
	WHZ069-120	1200	1448	5	1621			/	/	
	WHZ069-135	1350	1680	5	1708			/	/	
	WHZ069-140	1400	1742	5	1737			/	/	
	WHZ069-150	1500	1889	5	1848			/	/	
	1	2	3	4	5	6	7	8	9	10
Materiale Material	S355	S355	S355	Hardox 400	Hardox 400	Hardox 400	Hardox 400	Protection Corner	Protection Side cutter	Protection Lip
Spessore Thickness	12 mm	20 mm	12 mm	35 mm	20 mm	400 x 50 mm	15 mm	D'angle Angolare	Couteau Laterale	Lame Lama

Classe Class	Codice Code	L mm.	Cap. SAE Lt.	Denti n° Teeth	Peso Kg. Weight	RL mm.	P mm.	Tipo Denti - Teeth Type €		
								CAT J460	Esco U45 S	
T.70 38 - 43 ton	WHZ070-100	1000	1232	4	1595	1360	960	/	/	
	WHZ070-120	1200	1540	4	1715			/	/	
	WHZ070-135	1350	1790	4	1805			/	/	
	WHZ070-140	1400	1857	4	1835			/	/	
	WHZ070-150	1500	2017	5	1948			/	/	
	WHZ070-160	1600	2180	5	2040			/	/	
	WHZ070-180	1800	2506	5	2176			/	/	
	1	2	3	4	5	6	7	8	9	10
Materiale Material	S355	S355	S355	Hardox 400	Hardox 400	Hardox 400	Hardox 400	Protection Corner	Protection Side cutter	Protection Lip
Spessore Thickness	12 mm	20 mm	12 mm	35 mm	20 mm	400 x 50 mm	15 mm	D'angle Angolare	Couteau Laterale	Lame Lama

Classe Class	Codice Code	L mm.	Cap. SAE Lt.	Denti n° Teeth	Peso Kg. Weight	RL mm.	P mm.	Tipo Denti - Teeth Type €		
								CAT J550	Esco U55 S	
T.75 43 - 55 ton	WHZ075-140	1400	2175	4	2633	1480	1070	/	/	
	WHZ075-150	1500	2369	5	2716			/	/	
	WHZ075-170	1700	2757	5	2949			/	/	
	WHZ075-180	1800	2951	5	3032			/	/	
	WHZ075-190	1900	3145	5	3114			/	/	
	WHZ075-200	2000	3340	6	3265			/	/	
	1	2	3	4	5	6	7	8	9	10
Materiale Material	Hardox 400	S355	S355	Hardox 400	Hardox 400	Hardox 400	Hardox 400	Protection Corner	Protection Side cutter	Protection Lip
Spessore Thickness	12 mm	25 mm	12 mm	50 mm	25 mm	400 x 60 mm	15 mm	D'angle Angolare	Couteau Laterale	Lame Lama

Quotazioni e caratteristiche tecniche disponibili su richiesta per le classi superiori (dalla T.80 alla T.300)

Quotations and technical details available upon request for superior classes (from T.80 to T.300)

Devis et caractéristiques techniques sur demande pour les classes supérieures (de la T.80 à la T.300)

Cotizaciones y características técnicas disponibles a petición para las clases mayor (de la T.80 a la T.300)

Preise und technische unterlagen sind auf verfügbar auf Anfrage für die oberen Klassen (vom T.80 zum T.300)

