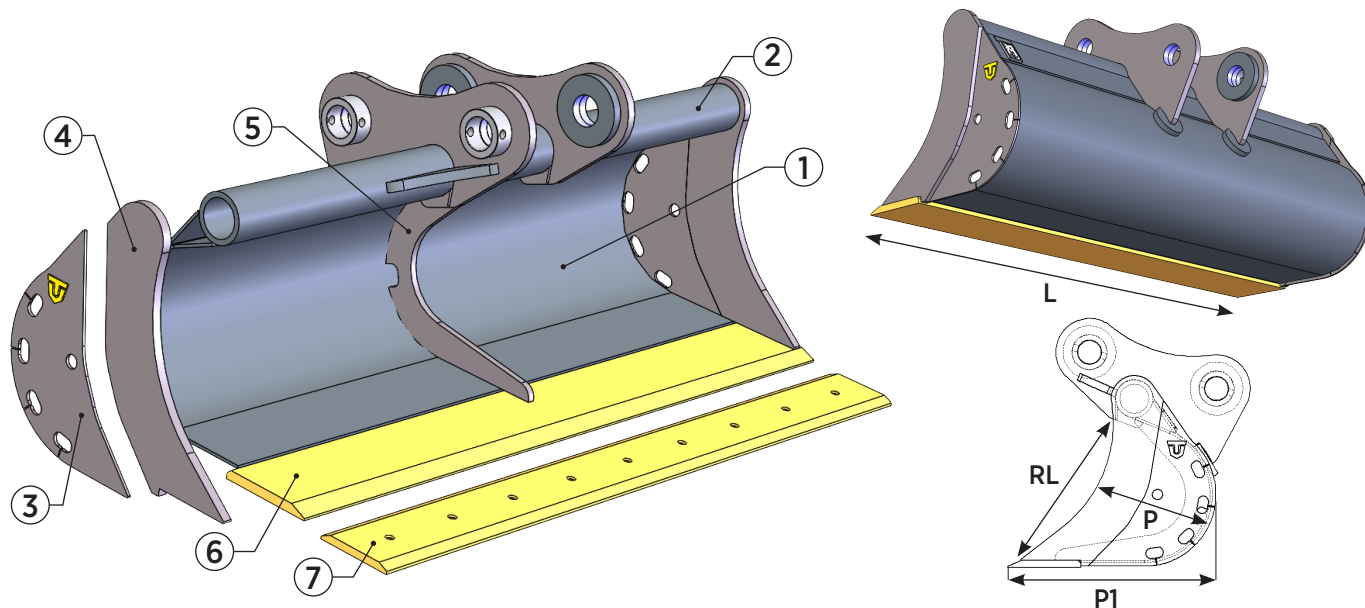


BENNA PULIZIA FOSSI PROFILO ROTONDO per escavatori DITCH CLEANING BUCKET ROUND PROFILE - GODET CURAGE PROFIL ARRONDI



Classe Class	Codice Code	L mm	Cap. SAE Lt	Peso Kg Weight	RL mm	P mm	P1 mm	Listino € Price List	Sottolama € Bolt on blade
T.50 9,6 - 12,5 ton	WPA050-140	1400	348	234	595	430	650	/	/
	WPA050-150	1500	376	245				/	/
	WPA050-160	1600	404	256				/	/
	WPA050-170	1700	433	268				/	/
	WPA050-180	1800	461	279				/	/
	WPA050-190	1900	489	291				/	/
	WPA050-200	2000	517	302				/	/
		1	2	3	4	5	6	7 Optional	8
Materiale	Material	S355	S355	S355	S355	S355	HB 400	HB 400	/
Spessore	Thickness	8 mm	114 x 12 mm	6 mm	20 mm	15 mm	200 x 20 mm	203 x 19 mm	/

Classe Class	Codice Code	L mm	Cap. SAE Lt	Peso Kg Weight	RL mm	P mm	P1 mm	Listino € Price List	Sottolama € Bolt on blade
T.55 12,6 - 16 ton	WPA055-160	1600	466	337	630	470	685	/	/
	WPA055-170	1700	498	352				/	/
	WPA055-180	1800	531	367				/	/
	WPA055-190	1900	563	382				/	/
	WPA055-200	2000	595	397				/	/
	WPA055-210	2100	628	412				/	/
	WPA055-220	2200	660	427				/	/
		1	2	3	4	5	6	7 Optional	8
Materiale	Material	S355	S355	S355	S355	S355	HB 400	HB 400	/
Spessore	Thickness	8 mm	127 x 14 mm	6 mm	20 mm	15 mm	200 x 25 mm	203 x 19 mm	/

BENNA PULIZIA FOSSI PROFILO ROTONDO per escavatori DITCH CLEANING BUCKET ROUND PROFILE - GODET CURAGE PROFIL ARRONDI

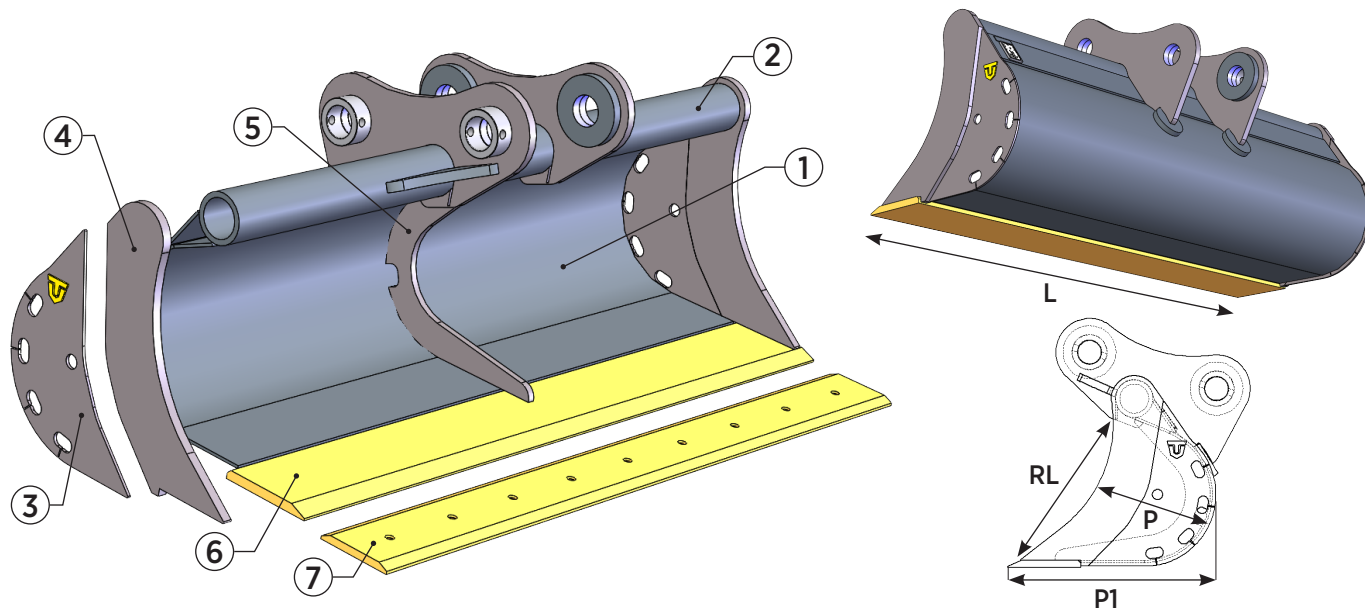
Classe Class	Codice Code	L mm	Cap. SAE Lt	Peso Kg Weight	RL mm	P mm	P1 mm	Listino € Price List	Sottolama € Bolt on blade
T.60 16 - 19 ton	WPA060-160	1600	531	356	685	485	740	/	/
	WPA060-170	1700	568	372				/	/
	WPA060-180	1800	605	388				/	/
	WPA060-190	1900	643	404				/	/
	WPA060-200	2000	680	420				/	/
	WPA060-210	2100	717	436				/	/
	WPA060-220	2200	754	466				/	/
		1	2	3	4	5	6	7 Optional	8
Materiale	Material	S355	S355	S355	S355	S355	HB 400	HB 400	/
Spessore	Thickness	8 mm	127 x 14 mm	6 mm	20 mm	20 mm	200 x 25 mm	203 x 19 mm	/

Classe Class	Codice Code	L mm	Cap. SAE Lt	Peso Kg Weight	RL mm	P mm	P1 mm	Listino € Price List	Sottolama € Bolt on blade
T.65 19 - 23 ton	WPA065-160	1600	614	380	745	500	780	/	/
	WPA065-170	1700	657	396				/	/
	WPA065-180	1800	701	413				/	/
	WPA065-190	1900	744	429				/	/
	WPA065-200	2000	788	446				/	/
	WPA065-210	2100	831	462				/	/
	WPA065-220	2200	874	495				/	/
		1	2	3	4	5	6	7 Optional	8
Materiale	Material	S355	S355	S355	S355	S355	HB 400	HB 400	/
Spessore	Thickness	8 mm	127 x 14 mm	6 mm	20 mm	20 mm	200 x 25 mm	203 x 19 mm	/

Classe Class	Codice Code	L mm	Cap. SAE Lt	Peso Kg Weight	RL mm	P mm	P1 mm	Listino € Price List	Sottolama € Bolt on blade
T.66 23 - 26 ton	WPA066-180	1800	823	596	835	540	875	/	/
	WPA066-190	1900	874	620				/	/
	WPA066-200	2000	926	641				/	/
	WPA066-210	2100	978	670				/	/
	WPA066-220	2200	1030	716				/	/
	WPA066-230	2300	1082	740				/	/
	WPA066-240	2400	1134	764				/	/
	WPA066-250	2500	1186	790				/	/
		1	2	3	4	5	6	7 Optional	8
Materiale	Material	S355	S355	S355	S355	S355	HB 400	HB 400	/
Spessore	Thickness	10 mm	152 x 16 mm	8 mm	25 mm	25 mm	270 x 32 mm	254 x 25 mm	/



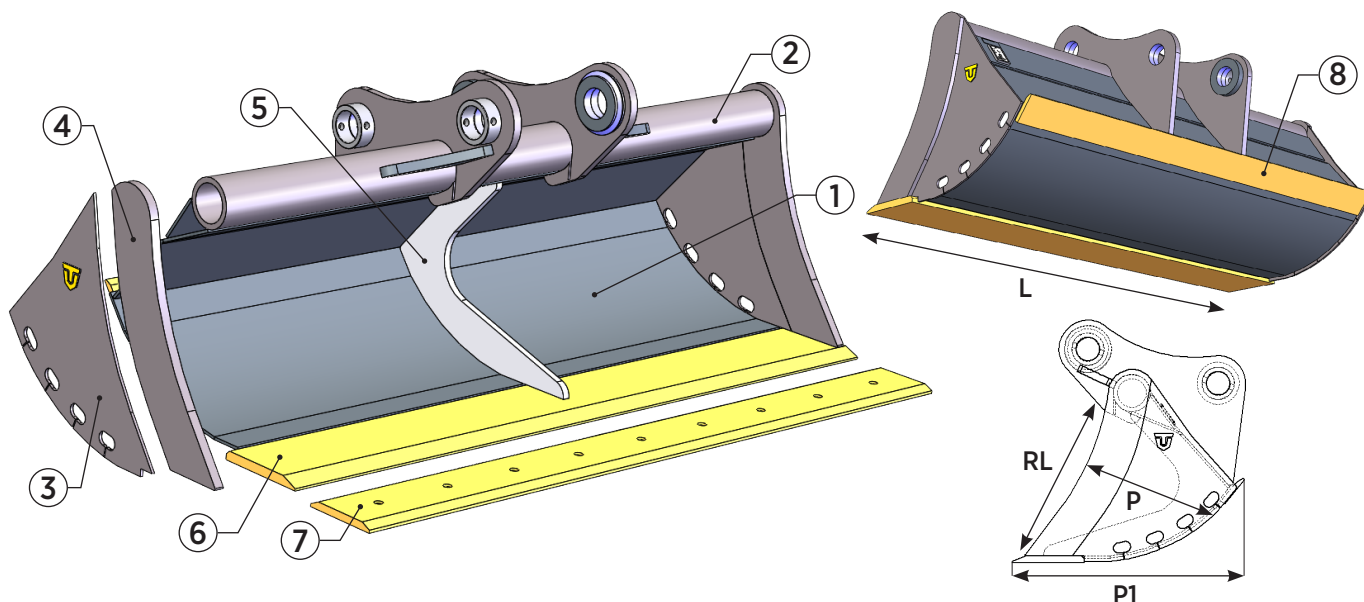
BENNA PULIZIA FOSSI PROFILO ROTONDO per escavatori DITCH CLEANING BUCKET ROUND PROFILE - GODET CURAGE PROFIL ARRONDI



Classe Class	Codice Code	L mm	Cap. SAE Lt	Peso Kg Weight	RL mm	P mm	P1 mm	Listino € Price List	Sottolama € Bolt on blade
T.68 26 - 31 ton	WPA068-180	1800	992	754	915	605	960	/	/
	WPA068-190	1900	1055	782				/	/
	WPA068-200	2000	1118	810				/	/
	WPA068-210	2100	1181	838				/	/
	WPA068-220	2200	1244	890				/	/
	WPA068-230	2300	1307	918				/	/
	WPA068-240	2400	1370	946				/	/
	WPA068-250	2500	1433	974				/	/
		1	2	3	4	5	6	7 Optional	8
Materiale	Material	S355	S355	S355	S355	S355	HB 400	HB 400	/
Spessore	Thickness	10 mm	178 x 20 mm	10 mm	25 mm	25 mm	300 x 30 mm	254 x 25 mm	/

Classe Class	Codice Code	L mm	Cap. SAE Lt	Peso Kg Weight	RL mm	P mm	P1 mm	Listino € Price List	Sottolama € Bolt on blade
T.69 - T.70 31 - 43 ton	WPA070-200	2000	1330	924	990	655	1050	/	/
	WPA070-210	2100	1405	957				/	/
	WPA070-220	2200	1481	1018				/	/
	WPA070-230	2300	1556	1051				/	/
	WPA070-240	2400	1632	1084				/	/
	WPA070-250	2500	1707	1117				/	/
	WPA070-260	2600	1783	1150				/	/
		1	2	3	4	5	6	7 Optional	8
Materiale	Material	S355	S355	S355	S355	S355	HB 400	HB 400	/
Spessore	Thickness	10 mm	178 x 20 mm	10 mm	30 mm	25 mm	300 x 30 mm	254 x 25 mm	/

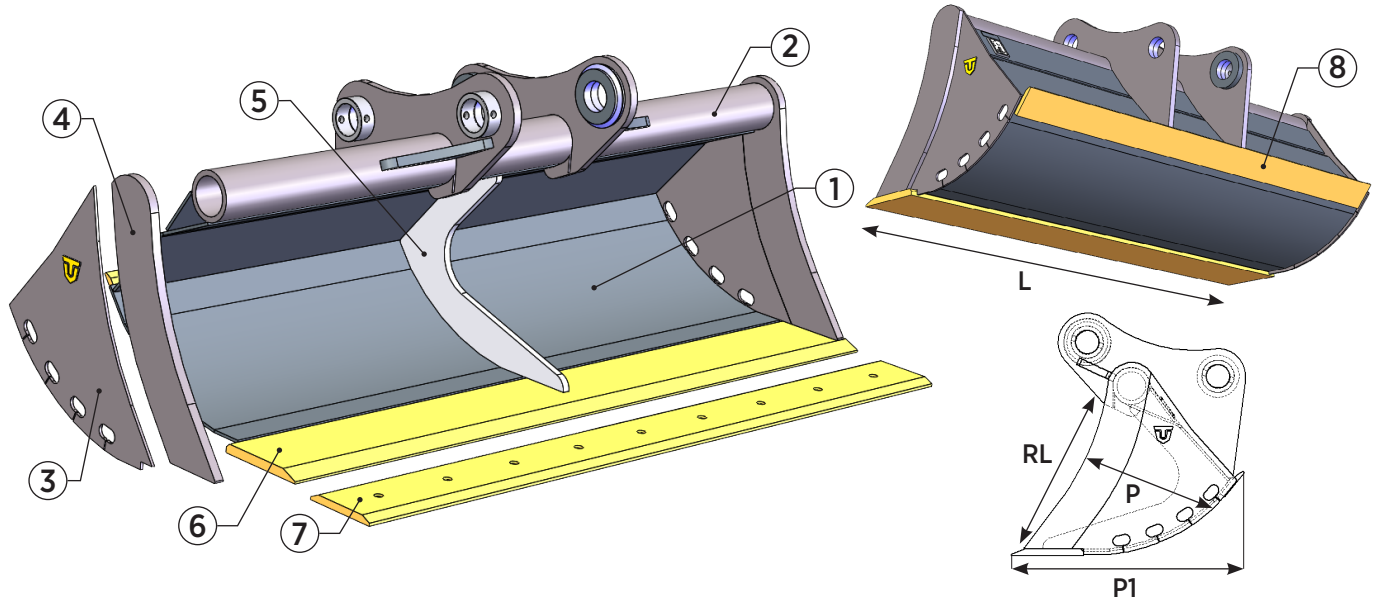
BENNA PULIZIA FOSSI PROFILO ZAPPA per escavatori DITCH CLEANING BUCKET SQUARED PROFILE - GODET CURAGE PROFIL A FOND PLAT



Classe Class	Codice Code	L mm	Cap. SAE Lt	Peso Kg Weight	RL mm	P mm	P1 mm	Listino € Price List	Sottolama € Bolt on blade
T.50 9,6 - 12,5 ton	WPC050-140	1400	315	283	570	435	740	/	/
	WPC050-150	1500	340	298				/	/
	WPC050-160	1600	365	313				/	/
	WPC050-170	1700	391	328				/	/
	WPC050-180	1800	416	343				/	/
	WPC050-190	1900	441	358				/	/
	WPC050-200	2000	466	373				/	/
		1	2	3	4	5	6	7 Optional	8
Materiale	Material	S355	S355	S355	S355	S355	HB 400	HB 400	HB 400
Spessore	Thickness	8 mm	127 x 14 mm	6 mm	20 mm	15 mm	200 x 20 mm	203 x 19 mm	110 x 16 mm

Classe Class	Codice Code	L mm	Cap. SAE Lt	Peso Kg Weight	RL mm	P mm	P1 mm	Listino € Price List	Sottolama € Bolt on blade
T.55 12,6 - 16 ton	WPC055-160	1600	446	364	605	490	810	/	/
	WPC055-170	1700	476	381				/	/
	WPC055-180	1800	507	398				/	/
	WPC055-190	1900	538	415				/	/
	WPC055-200	2000	569	432				/	/
	WPC055-210	2100	600	449				/	/
	WPC055-220	2200	630	475				/	/
		1	2	3	4	5	6	7 Optional	8
Materiale	Material	S355	S355	S355	S355	S355	HB 400	HB 400	HB 400
Spessore	Thickness	8 mm	127 x 14 mm	6 mm	20 mm	15 mm	200 x 25 mm	203 x 19 mm	110 x 16 mm

BENNA PULIZIA FOSSI PROFILO ZAPPA per escavatori DITCH CLEANING BUCKET SQUARED PROFILE - GODET CURAGE PROFIL A FOND PLAT



Classe Class	Codice Code	L mm	Cap. SAE Lt	Peso Kg Weight	RL mm	P mm	P1 mm	Listino € Price List	Sottolama € Bolt on blade
T.60 16 - 19 ton	WPC060-160	1600	557	441	680	545	900	/	/
	WPC060-170	1700	596	459				/	/
	WPC060-180	1800	635	477				/	/
	WPC060-190	1900	674	495				/	/
	WPC060-200	2000	713	513				/	/
	WPC060-210	2100	752	531				/	/
	WPC060-220	2200	791	564				/	/
		1	2	3	4	5	6	7 Optional	8
Materiale	Material	S355	S355	S355	S355	S355	HB 400	HB 400	HB 400
Spessore	Thickness	8 mm	127 x 14 mm	8 mm	20 mm	20 mm	200 x 25 mm	203 x 19 mm	110 x 16 mm

Classe Class	Codice Code	L mm	Cap. SAE Lt	Peso Kg Weight	RL mm	P mm	P1 mm	Listino € Price List	Sottolama € Bolt on blade
T.65 19 - 23 ton	WPC065-160	1600	652	469	740	580	960	/	/
	WPC065-170	1700	698	490				/	/
	WPC065-180	1800	744	511				/	/
	WPC065-190	1900	791	532				/	/
	WPC065-200	2000	837	553				/	/
	WPC065-210	2100	883	574				/	/
	WPC065-220	2200	929	613				/	/
		1	2	3	4	5	6	7 Optional	8
Materiale	Material	S355	S355	S355	S355	S355	HB 400	HB 400	HB 400
Spessore	Thickness	10 mm	127 x 14 mm	8 mm	20 mm	20 mm	200 x 25 mm	203 x 19 mm	110 x 16 mm

BENNA PULIZIA FOSSI PROFILO ZAPPA per escavatori
DITCH CLEANING BUCKET SQUARED PROFILE - GODET CURAGE PROFIL A FOND PLAT

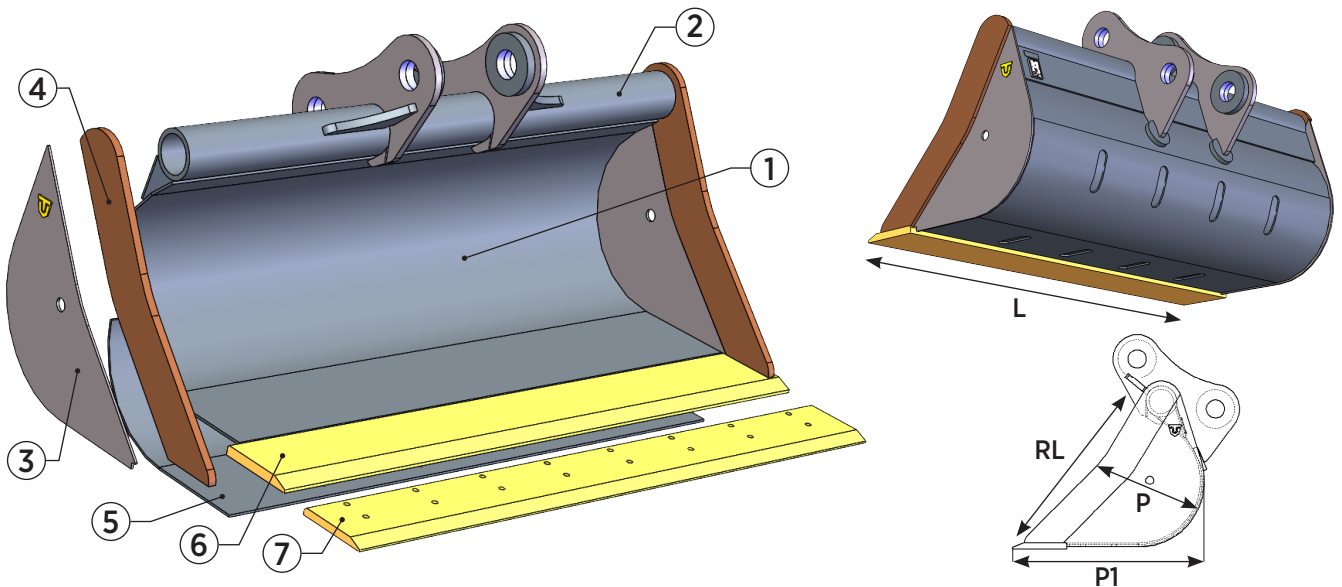
Classe Class	Codice Code	L mm	Cap. SAE Lt	Peso Kg Weight	RL mm	P mm	P1 mm	Listino € Price List	Sottolama € Bolt on blade
T.66 23 - 26 ton	WPC066-180	1800	860	749	805	615	1020	/	/
	WPC066-190	1900	913	777				/	/
	WPC066-200	2000	966	805				/	/
	WPC066-210	2100	1020	833				/	/
	WPC066-220	2200	1073	890				/	/
	WPC066-230	2300	1127	918				/	/
	WPC066-240	2400	1180	946				/	/
	WPC066-250	2500	1234	975				/	/
		1	2	3	4	5	6	7 Optional	8
Materiale	Material	S355	S355	S355	S355	S355	HB 400	HB 400	HB 400
Spessore	Thickness	12 mm	152 x 16 mm	10 mm	25 mm	25 mm	270 x 32 mm	254 x 25 mm	110 x 16 mm

Classe Class	Codice Code	L mm	Cap. SAE Lt	Peso Kg Weight	RL mm	P mm	P1 mm	Listino € Price List	Sottolama € Bolt on blade
T.68 26 - 31 ton	WPC068-180	1800	1058	1001	920	700	1150	/	/
	WPC068-190	1900	1125	1039				/	/
	WPC068-200	2000	1193	1077				/	/
	WPC068-210	2100	1260	1115				/	/
	WPC068-220	2200	1327	1188				/	/
	WPC068-230	2300	1394	1226				/	/
	WPC068-240	2400	1462	1264				/	/
	WPC068-250	2500	1529	1302				/	/
		1	2	3	4	5	6	7 Optional	8
Materiale	Material	S355	S355	S355	S355	S355	HB 400	HB 400	HB 400
Spessore	Thickness	15 mm	178 x 20 mm	10 mm	25 mm	25 mm	300 x 30 mm	254 x 25 mm	200 x 20 mm

Classe Class	Codice Code	L mm	Cap. SAE Lt	Peso Kg Weight	RL mm	P mm	P1 mm	Listino € Price List	Sottolama € Bolt on blade
T.69 - T.70 31 - 43 ton	WPC070-200	2000	1382	1113	985	740	1215	/	/
	WPC070-210	2100	1461	1153				/	/
	WPC070-220	2200	1540	1228				/	/
	WPC070-230	2300	1618	1268				/	/
	WPC070-240	2400	1697	1308				/	/
	WPC070-250	2500	1776	1348				/	/
	WPC070-260	2600	1854	1388				/	/
			1	2				3	4
Materiale	Material	S355	S355	S355	S355	S355	HB 400	HB 400	HB 400
Spessore	Thickness	15 mm	178 x 20 mm	10 mm	30 mm	25 mm	300 x 30 mm	254 x 25 mm	200 x 20 mm



BENNA PULIZIA FOSSI PROFILO OLANDA per escavatori DITCH CLEANING BUCKET HOLLAND PROFILE - GODET CURAGE GRANDE CAPACITE'



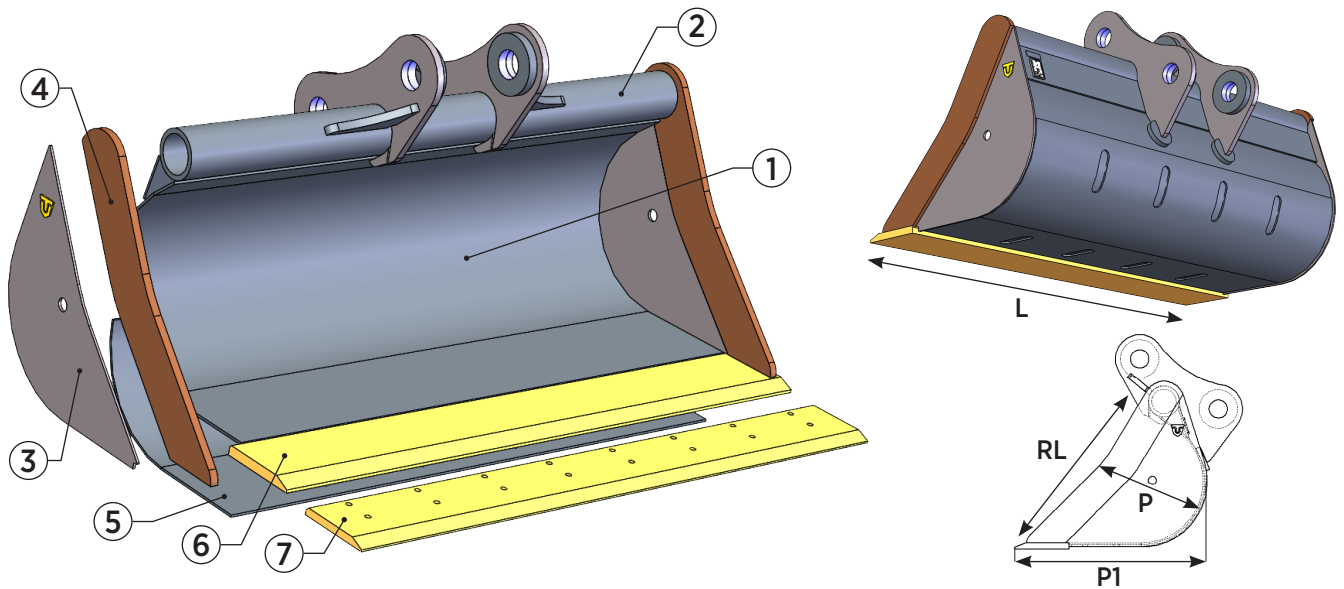
Classe Class	Codice Code	L mm.	Cap. SAE Lt.	Peso Kg. Weight	RL mm.	P mm.	P1 mm.	Listino € Price List	Sottolama € Bolt on blade
T.50 9,6 - 12,5 ton	WPE048-140	1400	348	240	649	358	651	/	/
	WPE048-150	1500	375	250				/	/
	WPE048-160	1600	403	265				/	/
	WPE048-180	1800	458	285				/	/
	WPE048-200	2000	513	320				/	/
		1	2	3	4	5	6	7 Optional	8
Materiale	Material	S355	S355	S355	Hardox 400	S355	HB 400	HB 400	/
Spessore	Thickness	6 mm	114.3 x 12.5 mm	8 mm	15 mm	6 mm	200 x 20 mm	200 x 20 mm	/

Classe Class	Codice Code	L mm.	Cap. SAE Lt.	Peso Kg. Weight	RL mm.	P mm.	P1 mm.	Listino € Price List	Sottolama € Bolt on blade
T.55 12,6 - 16 ton	WPE055-150	1500	585	412	830	445	830	/	/
	WPE055-160	1600	629	437				/	/
	WPE055-180	1800	717	477				/	/
	WPE055-200	2000	805	517				/	/
	WPE055-220	2200	893	557				/	/
		1	2	3	4	5	6	7 Optional	8
Materiale	Material	S355	S355	S355	Hardox 400	S355	HB 400	HB 400	/
Spessore	Thickness	8 mm	127 x 14.2 mm	8 mm	20 mm	8 mm	250 x 25 mm	250 x 25 mm	/

Classe Class	Codice Code	L mm.	Cap. SAE Lt.	Peso Kg. Weight	RL mm.	P mm.	P1 mm.	Listino € Price List	Sottolama € Bolt on blade
T.60 16 - 19 ton	WPE060-150	1500	677	446	900	473	895	/	/
	WPE060-160	1600	730	471				/	/
	WPE060-180	1800	832	511				/	/
	WPE060-200	2000	935	556				/	/
	WPE060-220	2200	1038	601				/	/
		1	2	3	4	5	6	7 Optional	8
Materiale	Material	S355	S355	S355	Hardox 400	S355	HB 400	HB 400	/
Spessore	Thickness	8 mm	127 x 14.2 mm	8 mm	20 mm	8 mm	250 x 25 mm	250 x 25 mm	/



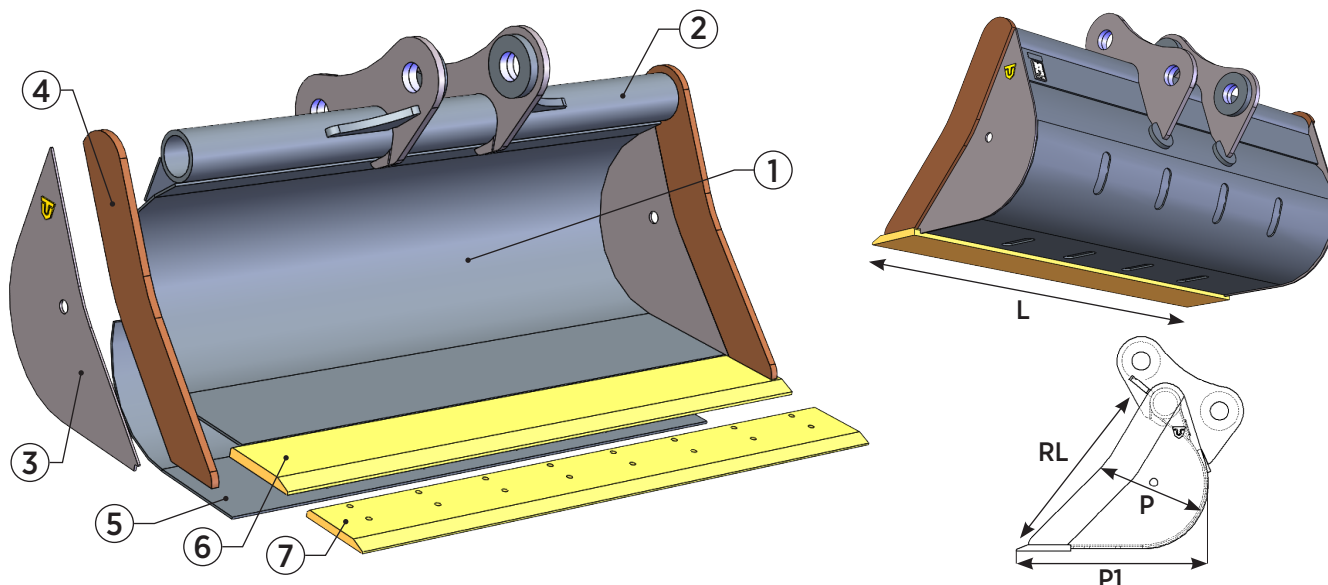
BENNA PULIZIA FOSSI PROFILO OLANDA per escavatori DITCH CLEANING BUCKET HOLLAND PROFILE - GODET CURAGE GRANDE CAPACITE'



Classe Class	Codice Code	L mm.	Cap. SAE Lt.	Peso Kg. Weight	RL mm.	P mm.	P1 mm.	Listino € Price List	Sottolama € Bolt on blade
T.65 19 - 23 ton	WPE065-160	1600	820	572	956	515	950	/	/
	WPE065-180	1800	937	622				/	/
	WPE065-200	2000	1054	672				/	/
	WPE065-220	2200	1171	722				/	/
	WPE065-240	2400	1288	772				/	/
	WPE065-250	2500	1346	802				/	/
		1	2	3	4	5	6	7 Optional	8
Materiale	Material	S355	S355	S355	Hardox 400	S355	HB 400	HB 400	/
Spessore	Thickness	8 mm	152.4 x 16 mm	8 mm	25 mm	8 mm	270 x 32 mm	250 x 25 mm	/

Classe Class	Codice Code	L mm.	Cap. SAE Lt.	Peso Kg. Weight	RL mm.	P mm.	P1 mm.	Listino € Price List	Sottolama € Bolt on blade
T.66 23 - 26 ton	WPE066-160	1600	930	590	1030	540	1006	/	/
	WPE066-180	1800	1066	650				/	/
	WPE066-200	2000	1200	700				/	/
	WPE066-220	2200	1334	750				/	/
	WPE066-240	2400	1470	800				/	/
	WPE066-250	2500	1535	830				/	/
		1	2	3	4	5	6	7 Optional	8
Materiale	Material	S355	S355	S355	Hardox 400	S355	HB 400	HB 400	/
Spessore	Thickness	8 mm	152.4 x 16 mm	8 mm	25 mm	8 mm	270 x 32 mm	250 x 25 mm	/

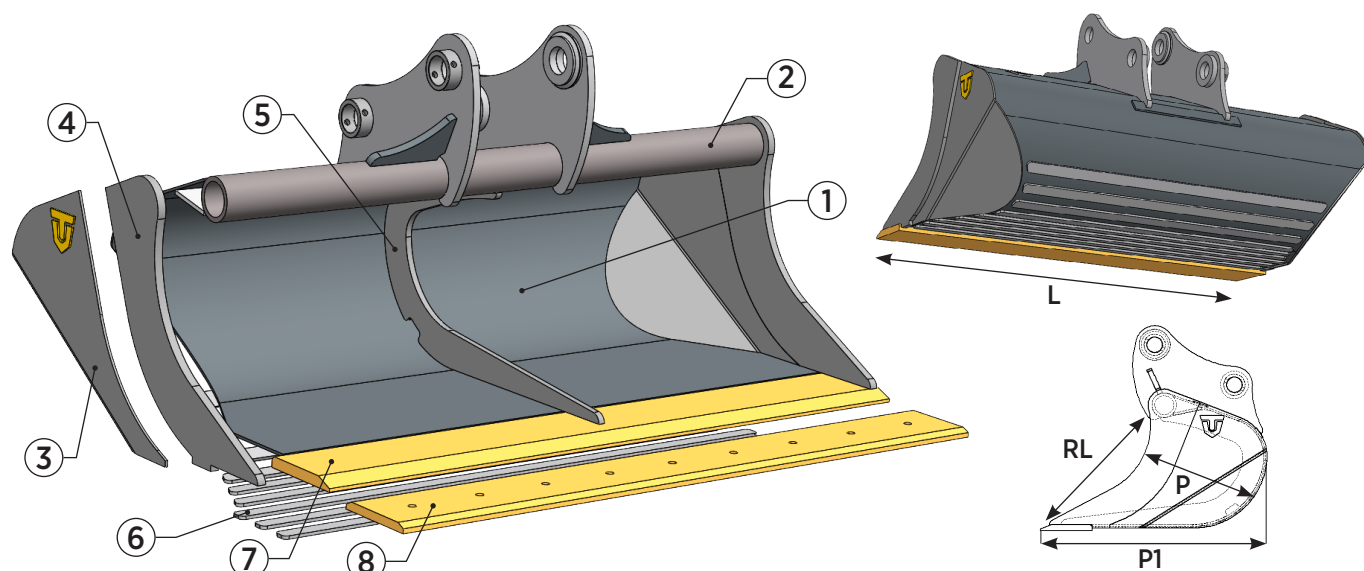
BENNA PULIZIA FOSSI PROFILO OLANDA per escavatori DITCH CLEANING BUCKET HOLLAND PROFILE - GODET CURAGE GRANDE CAPACITE'



Classe Class	Codice Code	L mm.	Cap. SAE Lt.	Peso Kg. Weight	RL mm.	P mm.	P1 mm.	Listino € Price List	Sottolama € Bolt on blade
T.68 26 - 31 ton	WPE068-160	1600	1177	819	1155	625	1152	/	/
	WPE068-180	1800	1350	894				/	/
	WPE068-200	2000	1522	969				/	/
	WPE068-220	2200	1694	1044				/	/
	WPE068-240	2400	1867	1119				/	/
	WPE068-250	2500	1953	1156				/	/
		1	2	3	4	5	6	7 Optional	8
Materiale	Material	S355	S355	S355	Hardox 400	S355	HB 400	HB 400	/
Spessore	Thickness	10 mm	177.8 x 20 mm	10 mm	30 mm	10 mm	300 x 35 mm	250 x 25 mm	/

Classe Class	Codice Code	L mm.	Cap. SAE Lt.	Peso Kg. Weight	RL mm.	P mm.	P1 mm.	Listino € Price List	Sottolama € Bolt on blade
T.69 - T.70 31 - 43 ton	WPE070-160	1600	1330	938	1240	660	1235	/	/
	WPE070-180	1800	1528	1016				/	/
	WPE070-200	2000	1725	1094				/	/
	WPE070-220	2200	1922	1172				/	/
	WPE070-240	2400	2118	1250				/	/
	WPE070-250	2500	2216	1290				/	/
		1	2	3	4	5	6	7 Optional	8
Materiale	Material	S355	S355	S355	Hardox 400	S355	HB 400	HB 400	/
Spessore	Thickness	10 mm	177.8 x 20 mm	10 mm	30 mm	10 mm	300 x 35 mm	250 x 25 mm	/

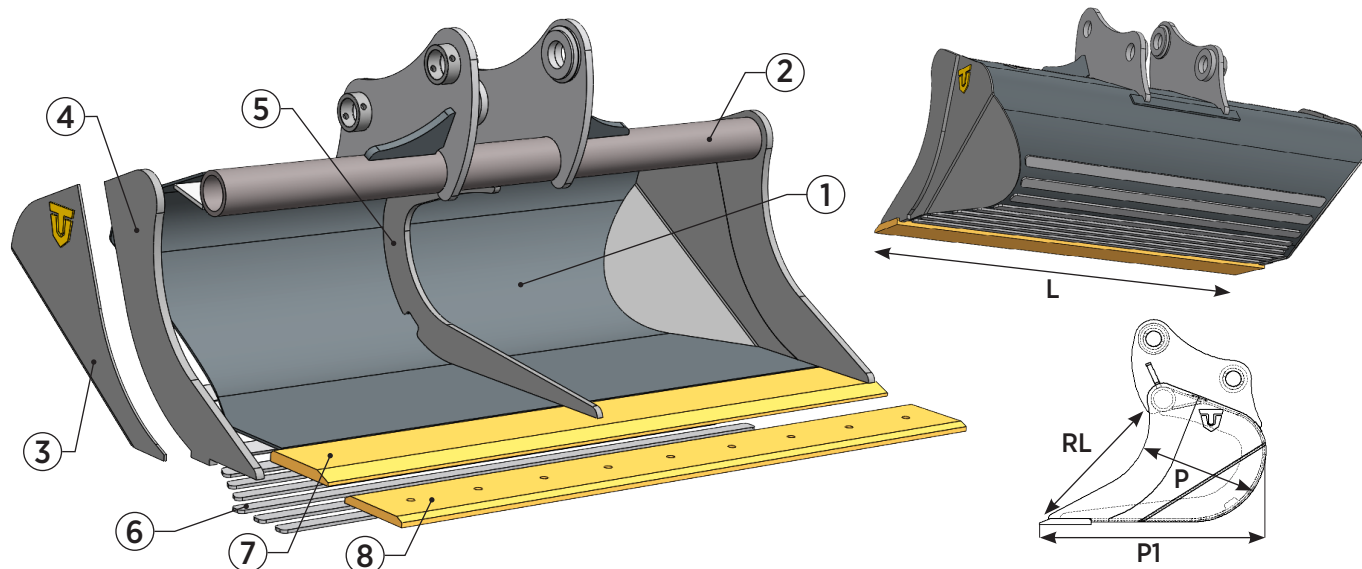
BENNA PULIZIA FOSSI PROFILO LEVELLING per escavatori DITCH CLEANING BUCKET LEVELLING PROFILE - GODET CURAGE PROFIL LEVELLING



Classe Class	Codice Code	L mm.	Cap. SAE Lt.	Peso Kg. Weight	RL mm.	P mm.	P1 mm.	Listino € Price List	Sottolama € Bolt on blade
T.50 9,6 - 12,5 ton	WLB048-130	1300	482	301	704	484	960	/	/
	WLB048-140	1400	524	324				/	/
	WLB048-150	1500	566	347				/	/
	WLB048-160	1600	608	371				/	/
	WLB048-170	1700	650	394				/	/
	WLB048-180	1800	690	429				/	/
		1	2	3	4	5	6	7	8 Optional
Materiale	Material	S355	S355	S355	S355	S355	S355	HB 400	HB 400
Spessore	Thickness	8 mm	114,3 x 12,5 mm	6 mm	15 mm	15 mm	8 mm	200 x 20 mm	203 x 19 mm

Classe Class	Codice Code	L mm.	Cap. SAE Lt.	Peso Kg. Weight	RL mm.	P mm.	P1 mm.	Listino € Price List	Sottolama € Bolt on blade
T.55 - T.60 12,6 - 19 ton	WLB060-150	1500	740	441	800	577	1120	/	/
	WLB060-160	1600	796	464				/	/
	WLB060-170	1700	852	486				/	/
	WLB060-180	1800	908	508				/	/
	WLB060-190	1900	963	535				/	/
	WLB060-200	2000	1020	552				/	/
		1	2	3	4	5	6	7	8 Optional
Materiale	Material	S355	S355	S355	S355	S355	S355	HB 400	HB 400
Spessore	Thickness	8 mm	127 x 14,2 mm	6 mm	20 mm	20 mm	8 mm	200 x 25 mm	203 x 19 mm

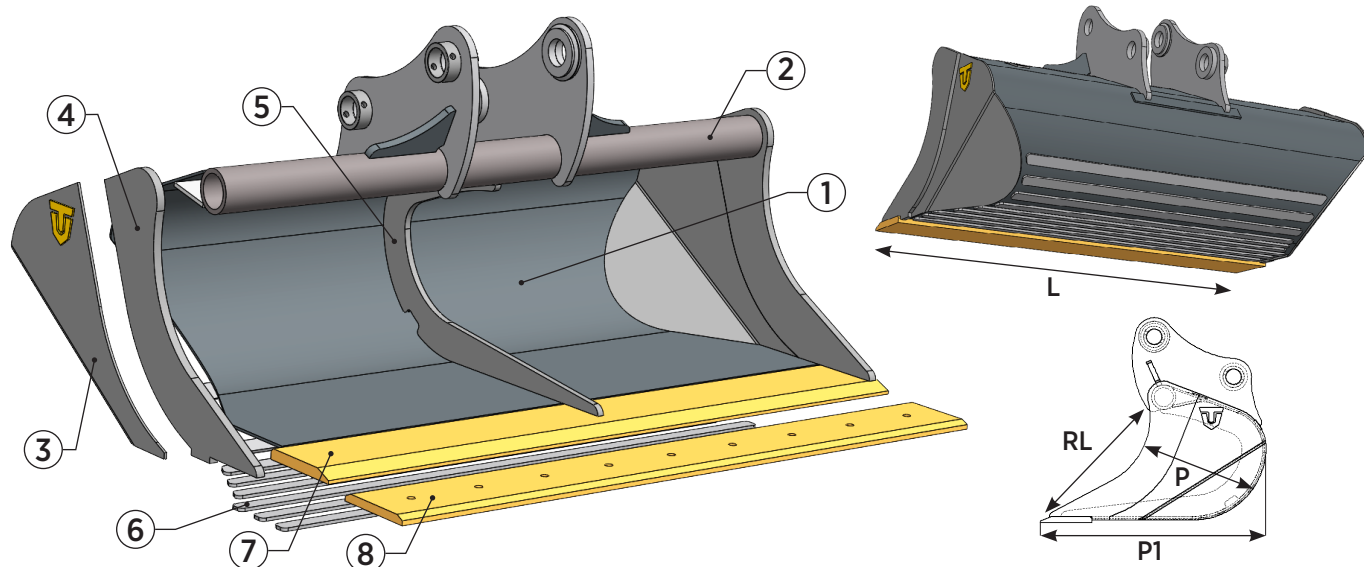
BENNA PULIZIA FOSSI PROFILO LEVELLING per escavatori DITCH CLEANING BUCKET LEVELLING PROFILE - GODET CURAGE PROFIL LEVELLING



Classe Class	Codice Code	L mm.	Cap. SAE Lt.	Peso Kg. Weight	RL mm.	P mm.	P1 mm.	Listino € Price List	Sottolama € Bolt on blade
T.65 19 - 23 ton	WLBO65-160	1600	902	574	849	610	1180	/	/
	WLBO65-170	1700	965	609				/	/
	WLBO65-180	1800	1028	645				/	/
	WLBO65-190	1900	1091	681				/	/
	WLBO65-200	2000	1155	717				/	/
	WLBO65-210	2100	1250	744				/	/
		1	2	3	4	5	6	7	8 Optional
Materiale	Material	S355	S355	S355	S355	S355	S355	HB 400	HB 400
Spessore	Thickness	8 mm	127 x 14,2 mm	8 mm	25 mm	20 mm	10 mm	270 x 32 mm	254 x 25 mm

Classe Class	Codice Code	L mm.	Cap. SAE Lt.	Peso Kg. Weight	RL mm.	P mm.	P1 mm.	Listino € Price List	Sottolama € Bolt on blade
T.66 23 - 26 ton	WLBO66-170	1700	1190	774	956	668	1310	/	/
	WLBO66-180	1800	1270	820				/	/
	WLBO66-190	1900	1349	865				/	/
	WLBO66-200	2000	1428	911				/	/
	WLBO66-210	2100	1508	956				/	/
		1	2	3	4	5	6	7	8 Optional
Materiale	Material	S355	S355	S355	S355	S355	S355	HB 400	HB 400
Spessore	Thickness	8 mm	152,4 x 16 mm	8 mm	25 mm	25 mm	12 mm	300 x 35 mm	254 x 25 mm

BENNA PULIZIA FOSSI PROFILO LEVELLING per escavatori DITCH CLEANING BUCKET LEVELLING PROFILE - GODET CURAGE PROFIL LEVELLING



Classe Class	Codice Code	L mm.	Cap. SAE Lt.	Peso Kg. Weight	RL mm.	P mm.	P1 mm.	Listino € Price List	Sottolama € Bolt on blade
T.68 26 - 31 ton	WLB068-180	1800	1385	985	1003	710	1380	/	/
	WLB068-190	1900	1473	1039				/	/
	WLB068-200	2000	1561	1094				/	/
	WLB068-210	2100	1648	1149				/	/
	WLB068-220	2200	1736	1203				/	/
		1	2	3	4	5	6	7	8 Optional
Materiale	Material	S355	S355	S355	S355	S355	S355	HB 400	HB 400
Spessore	Thickness	10 mm	177,8 x 20 mm	10 mm	30 mm	25 mm	12 mm	300 x 35 mm	254 x 25 mm