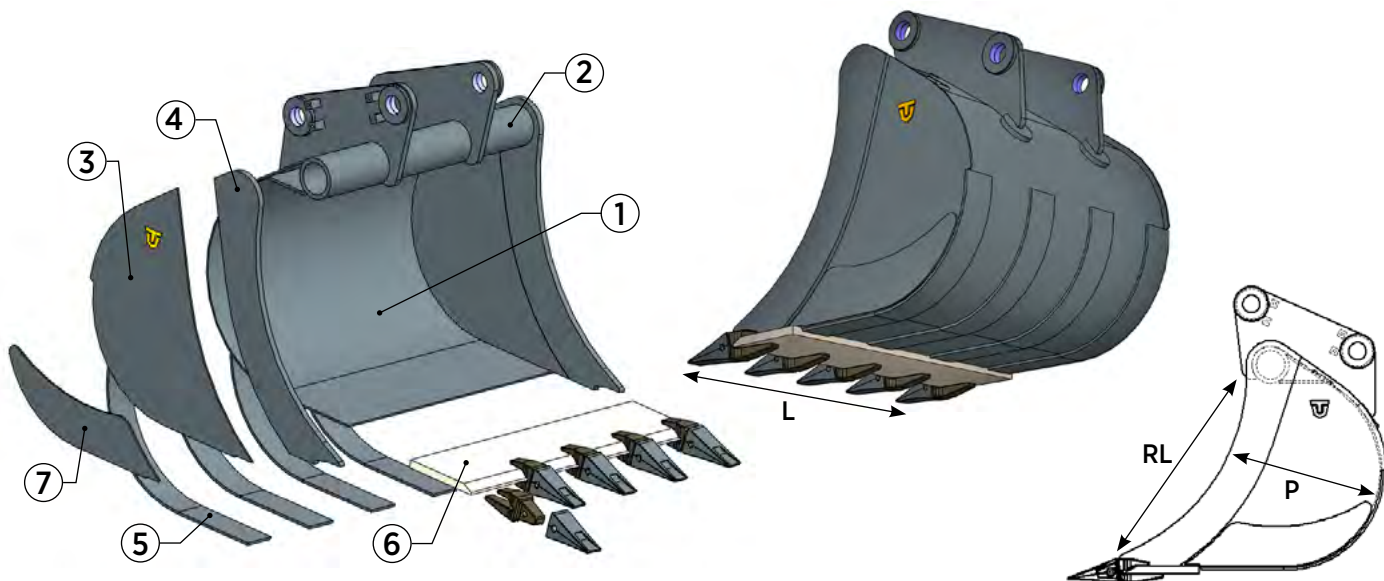
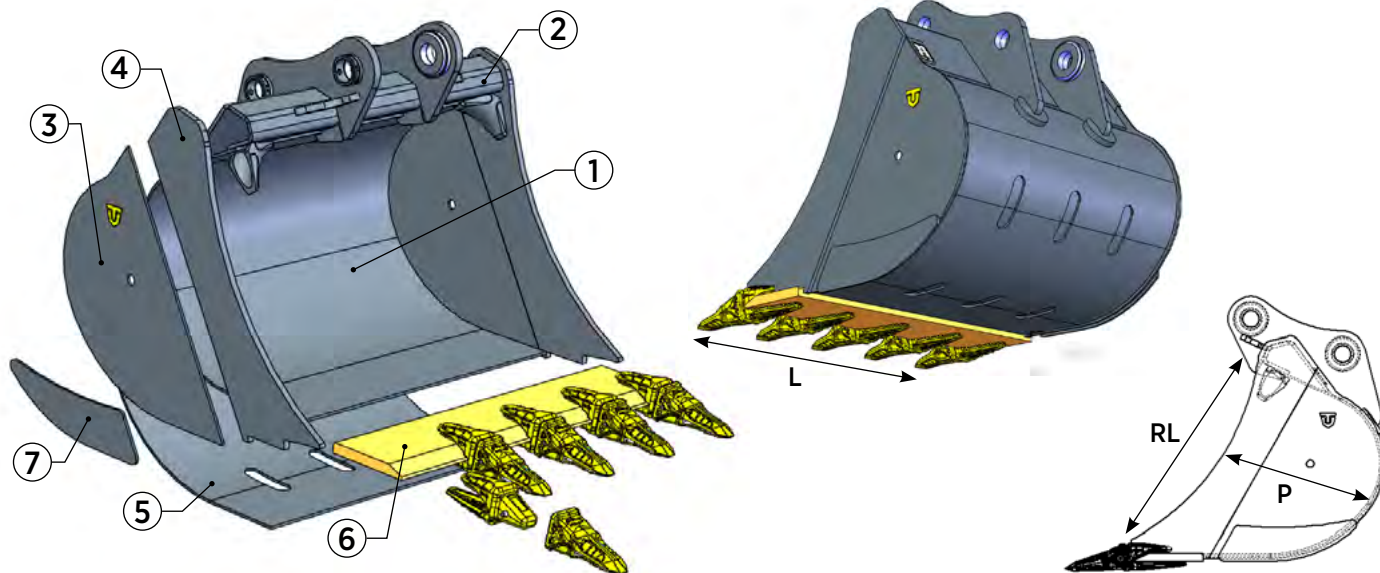


**BENNA STANDARD per escavatori**  
**STANDARD BUCKET for excavators**  
**GODET STANDARD pour pelles**  
**CAZO ESTANDAR para excavadoras**  
**STANDARD TIEFLÖFFEL für Bagger**



Classe Class	Codice Code	L mm	Cap. SAE Lt	Denti n° Teeth	Peso Kg Weight	RL mm	P mm	CAT J220	FEURST FK3 TLR	ESCO U20 S
T.50 9,6 - 12,5 ton	WSD050-030	300	80	2	164	805	530	/	/	/
	WSD050-040	400	123	3	184			/	/	/
	WSD050-050	500	168	3	207			/	/	/
	WSD050-060	600	215	4	227			/	/	/
	WSD050-070	700	263	4	253			/	/	/
	WSD050-080	800	320	5	275			/	/	/
	WSD050-090	900	370	5	302			/	/	/
	WSD050-100	1000	421	5	325			/	/	/
	WSD050-110	1100	473	6	340			/	/	/
	WSD050-120	1200	525	6	360			/	/	/
		<b>1</b>	<b>2</b>	<b>3</b>	<b>4</b>	<b>5</b>	<b>6</b>	<b>7</b>	<b>8</b>	
<b>Materiale</b>	<b>Material</b>	S355	S355	S355	S355	S355	EN 250	S355	/	
<b>Spessore</b>	<b>Thickness</b>	6 mm	127 x 14 mm	6 mm	20 mm	8 mm	250 x 25 mm	6 mm	/	

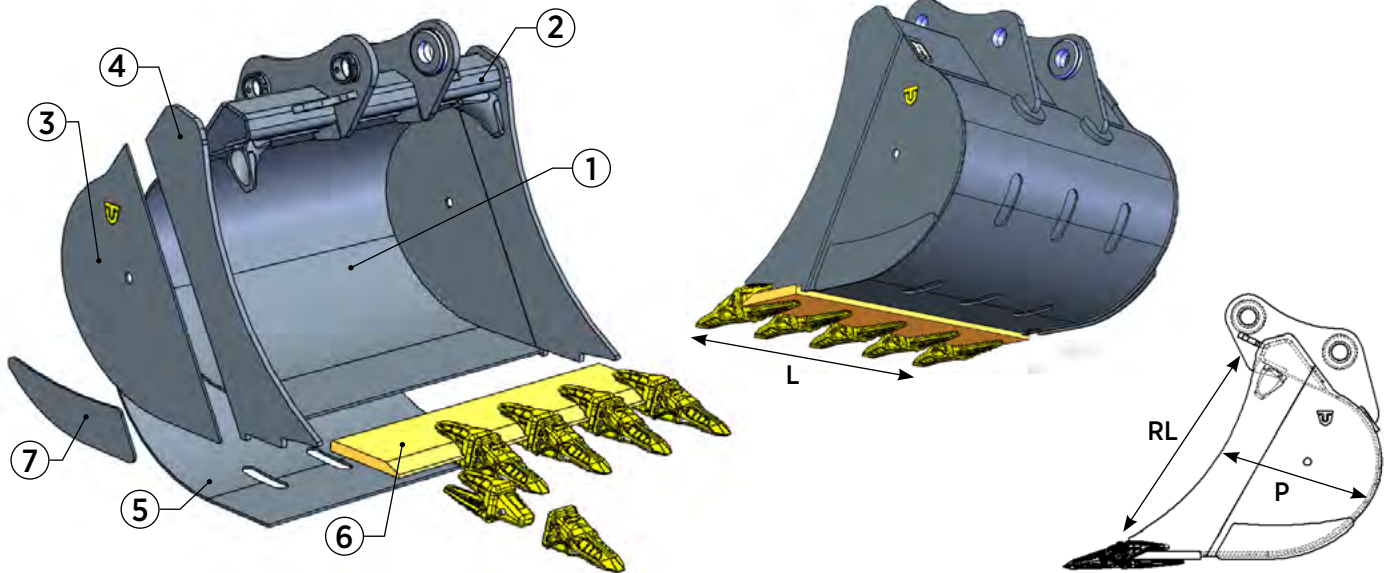
## BENNA STANDARD per escavatori - STD BUCKET - GODET STANDARD



Classe Class	Codice Code	L mm	Cap. SAE Lt	Denti n° Teeth	Peso Kg Weight	RL mm	P mm	CAT J250	FEURST FK4 TLR	ESCO U25 S
T.55 12,6 - 16 ton	WSD055-040	400	148	3	267	935	590	/	/	/
	WSD055-050	500	203	3	291			/	/	/
	WSD055-060	600	260	3	318			/	/	/
	WSD055-070	700	325	4	364			/	/	/
	WSD055-080	800	386	4	390			/	/	/
	WSD055-090	900	448	4	416			/	/	/
	WSD055-100	1000	511	5	448			/	/	/
	WSD055-110	1100	575	5	476			/	/	/
	WSD055-120	1200	640	5	501			/	/	/
	WSD055-130	1300	706	5	536			/	/	/
		<b>1</b>	<b>2</b>	<b>3</b>	<b>4</b>	<b>5</b>	<b>6</b>	<b>7</b>	<b>8</b>	
<b>Materiale</b>	<b>Material</b>	S355	S355	S355	S355	S355	HB 400	S355	/	
<b>Spessore</b>	<b>Thickness</b>	8 mm	12 mm	8 mm	20 mm	8 mm	270 x 32 mm	8 mm	/	

Classe Class	Codice Code	L mm	Cap. SAE Lt	Denti n° Teeth	Peso Kg Weight	RL mm	P mm	CAT J300	FEURST FK5 TLR	ESCO U30 S
T.60 16 - 19 ton	WSD060-040	400	170	3	323	1000	650	/	/	/
	WSD060-050	500	232	3	345			/	/	/
	WSD060-060	600	297	3	380			/	/	/
	WSD060-070	700	374	4	438			/	/	/
	WSD060-080	800	443	4	474			/	/	/
	WSD060-090	900	514	4	500			/	/	/
	WSD060-100	1000	586	5	545			/	/	/
	WSD060-110	1100	660	5	578			/	/	/
	WSD060-120	1200	734	5	610			/	/	/
	WSD060-130	1300	809	6	662			/	/	/
	WSD060-140	1400	885	6	727			/	/	/
			<b>1</b>	<b>2</b>	<b>3</b>			<b>4</b>	<b>5</b>	<b>6</b>
<b>Materiale</b>	<b>Material</b>	S355	S355	S355	S355	S355	HB 400	S355	/	
<b>Spessore</b>	<b>Thickness</b>	8 mm	18 mm	8 mm	20 mm	8 mm	270 x 32 mm	8 mm	/	

## BENNA STANDARD per escavatori - STD BUCKET - GODET STANDARD

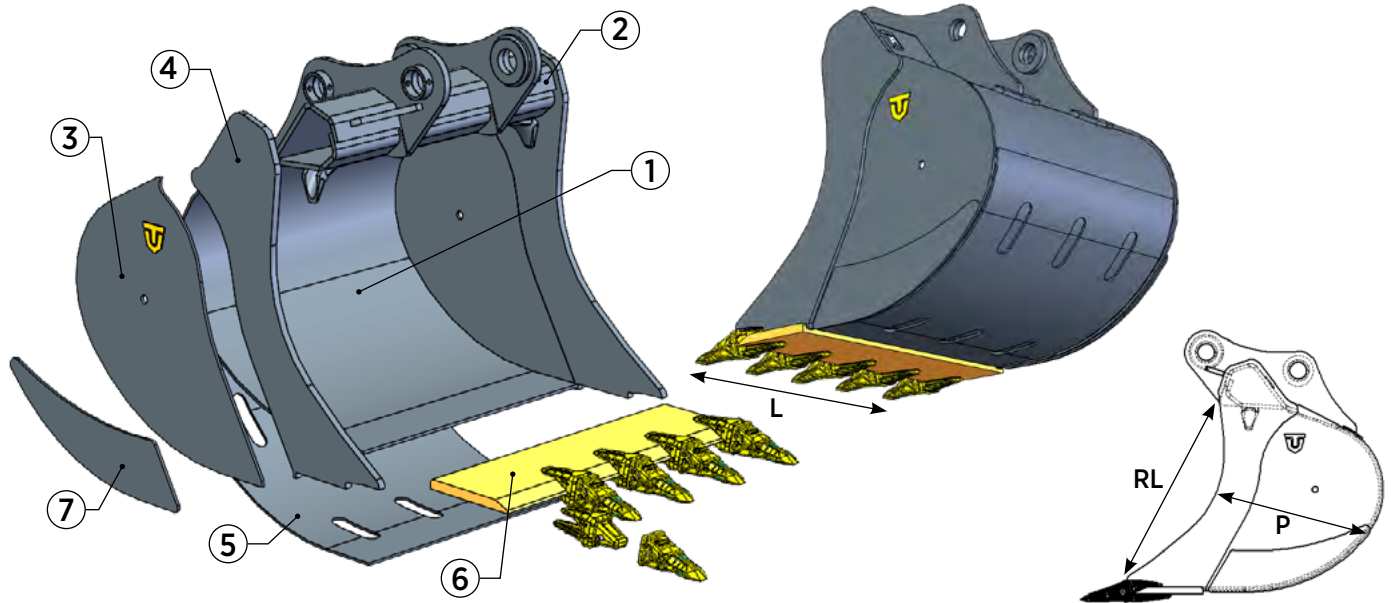


Classe Class	Codice Code	L mm	Cap. SAE Lt	Denti n° Teeth	Peso Kg Weight	RL mm	P mm	CAT J300	FEURST FK5 TLR	ESCO U30 S
T.65 19 - 23 ton	WSD065-040	400	207	3	388	1085	715	/	/	/
	WSD065-050	500	283	3	405			/	/	/
	WSD065-060	600	362	3	446			/	/	/
	WSD065-070	700	443	3	504			/	/	/
	WSD065-080	800	542	4	580			/	/	/
	WSD065-090	900	628	4	603			/	/	/
	WSD065-100	1000	715	5	675			/	/	/
	WSD065-110	1100	804	5	714			/	/	/
	WSD065-120	1200	895	5	753			/	/	/
	WSD065-130	1300	986	5	792			/	/	/
	WSD065-140	1400	1079	5	830			/	/	/
	WSD065-150	1500	1171	6	882			/	/	/
	WSD065-160	1600	1265	6	936			/	/	/
		<b>1</b>	<b>2</b>	<b>3</b>	<b>4</b>	<b>5</b>	<b>6</b>	<b>7</b>	<b>8</b>	
<b>Materiale</b>	<b>Material</b>	S355	S355	S355	S355	S355	HB 400	S355	/	
<b>Spessore</b>	<b>Thickness</b>	10 mm	18 mm	8 mm	25 mm	10 mm	300 x 30 mm	8 mm	/	

Classe Class	Codice Code	L mm	Cap. SAE Lt	Denti n° Teeth	Peso Kg Weight	RL mm	P mm	CAT J300	FEURST FK7 TLR	ESCO U35 S
T.66 23 - 26 ton	WSD066-050	500	325	3	497	1150	790	/	/	/
	WSD066-060	600	415	3	527			/	/	/
	WSD066-070	700	510	3	587			/	/	/
	WSD066-080	800	623	4	652			/	/	/
	WSD066-090	900	720	4	700			/	/	/
	WSD066-100	1000	820	4	738			/	/	/
	WSD066-120	1200	1026	5	865			/	/	/
	WSD066-130	1300	1130	5	887			/	/	/
	WSD066-140	1400	1237	5	938			/	/	/
	WSD066-150	1500	1343	6	987			/	/	/
	WSD066-160	1600	1450	6	1072			/	/	/
		<b>1</b>	<b>2</b>	<b>3</b>	<b>4</b>	<b>5</b>	<b>6</b>	<b>7</b>	<b>8</b>	
<b>Materiale</b>	<b>Material</b>	S355	S355	S355	S355	S355	HB 400	S355	/	
<b>Spessore</b>	<b>Thickness</b>	10 mm	18 mm	10 mm	25 mm	10 mm	300 x 30 mm	10 mm	/	



**BENNA STANDARD "HEY" per escavatori**  
**STD "HEY" BUCKET for excavators - GODET STANDARD "HEY" pour pelles**



Classe Class	Codice Code	L mm	Cap. SAE Lt	Denti n° Teeth	Peso Kg Weight	RL mm	P mm	CAT J350	FEURST FK7 TLR	ESCO U35 S
T.68 26 - 31 ton	WHS068-060	600	520	3	751	1250	900	/	/	/
	WHS068-070	700	636	3	816			/	/	/
	WHS068-080	800	784	4	887			/	/	/
	WHS068-090	900	906	4	958			/	/	/
	WHS068-100	1000	1030	4	1035			/	/	/
	WHS068-120	1200	1285	5	1118			/	/	/
	WHS068-130	1300	1414	5	1185			/	/	/
	WHS068-140	1400	1546	5	1217			/	/	/
	WHS068-150	1500	1678	5	1290			/	/	/
	WHS068-160	1600	1811	6	1330			/	/	/
	WHS068-170	1700	1945	6	1390			/	/	/
		<b>1</b>	<b>2</b>	<b>3</b>	<b>4</b>	<b>5</b>	<b>6</b>	<b>7</b>	<b>8</b>	
<b>Materiale</b>	<b>Material</b>	S355	S355	S355	S355	S355	HB 400	S355	/	
<b>Spessore</b>	<b>Thickness</b>	10 mm	18 mm	10 mm	30 mm	10 mm	400 x 40 mm	12 mm	/	

Classe Class	Codice Code	L mm	Cap. SAE Lt	Denti n° Teeth	Peso Kg Weight	RL mm	P mm	CAT J350	FEURST FK9 TLR	ESCO U35 S
T.69 31 - 38 ton	WHS069-080	800	874	4	997	1265	940	/	/	/
	WHS069-090	900	1014	4	1080			/	/	/
	WHS069-100	1000	1157	4	1155			/	/	/
	WHS069-120	1200	1448	5	1240			/	/	/
	WHS069-130	1300	1594	5	1305			/	/	/
	WHS069-140	1400	1742	5	1370			/	/	/
	WHS069-150	1500	1889	5	1435			/	/	/
	WHS069-160	1600	2036	6	1502			/	/	/
	WHS069-170	1700	2183	6	1570			/	/	/
	WHS069-180	1800	2330	6	1640			/	/	/
		<b>1</b>	<b>2</b>	<b>3</b>	<b>4</b>	<b>5</b>	<b>6</b>	<b>7</b>	<b>8</b>	
<b>Materiale</b>	<b>Material</b>	S355	S355	S355	S355	S355	HB 400	S355	/	
<b>Spessore</b>	<b>Thickness</b>	12 mm	20 mm	12 mm	30 mm	10 mm	400 x 40 mm	12 mm	/	

